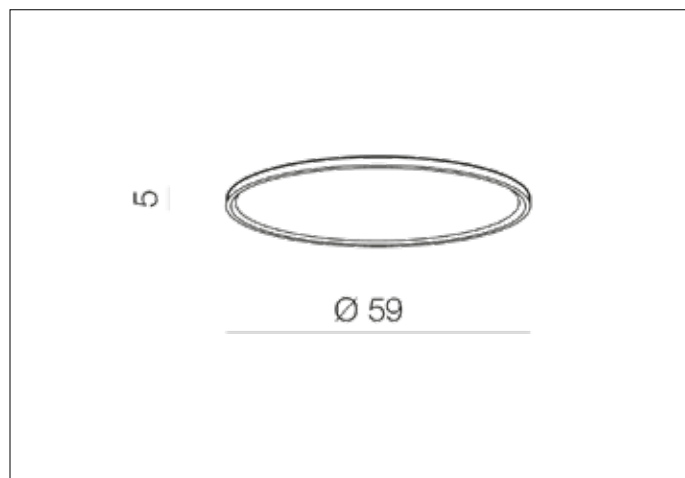


AZzardo[®]
LIGHTING

CREAM 60 TOP WH
AZ3298, EAN 5901238432982



Dimensions height / width / length [cm] Product Specifications

| | |
|-----------------|------------------|
| Product | 5 x 59 x N/A |
| Mounting inlet: | N/A x N/A x N/A |
| Ceiling base: | 3,3 x 48,5 x N/A |
| Shades | 1,9 x 59 x N/A |

| | |
|--------------------|----------------|
| Line | SMART |
| Type | Top |
| Type of track | N/A |
| Colour | White |
| Material | Aluminium / PC |
| Light source | 1 |
| Type of socket | LED INTEGRATED |
| Lumens | 2850 |
| Kelvins | 3000 ~ 6000 |
| Beam angle | 115° |
| Dimmable | YES |
| CCT | YES |
| RGB | N/A |
| RA | N/A |
| App remote control | YES |
| Remote control | N/A |
| Voltage | 230V |
| Power | 53W |
| Switch location | N/A |
| Protection class | IP20 |
| Tilt | N/A |
| Rotation | N/A |

Shipping info height / width / length [cm]

| | |
|-------------------|-----------------|
| BOX 1: | 13 x 66 x 66 |
| BOX 2: | N/A x N/A x N/A |
| BOX 3: | N/A x N/A x N/A |
| Net weight [kg] | 5 |
| Gross weight [kg] | 5,5 |

Energy efficiency



Azzardo Sp. z o.o.
ul. Strzeszyńska 33 60-479 Poznań,
NIP: 929-185-75-07

www.azzardolighting.com